



H4-3D ADAPTER KIT

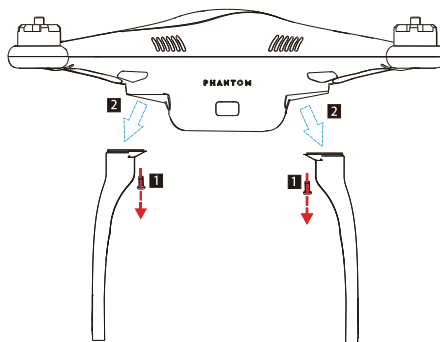
QUICK START GUIDE

安装说明

LEARN MORE: WWW.DJI.COM

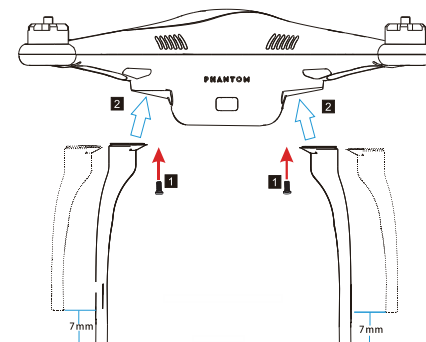
- 1 Disconnect cables from landing skids. Then, detach landing skids from Phantom 2. Store landing skids for future use.

断开脚架相应连线，拆卸 Phantom 2 脚架。务必妥善保存原装脚架，以备后用。



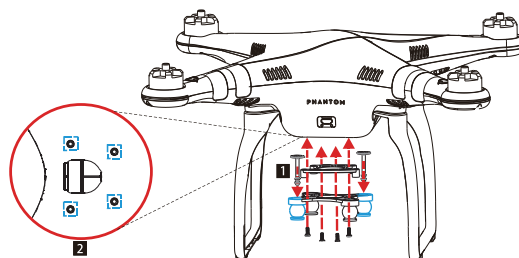
- 2 Install longer landing skids (7mm longer) then reconnect cables.

安装加长脚架(比原装脚架长7mm)到Phantom 2上，并重新连接连线到脚架上。



- 3 First, insert the securing pins through the holes on the highlighted diagonal position shown below. Align gimbal adapter with the four screws holes on the bottom of Phantom 2. Then align the damping unit upper plate with the gimbal adapter. Ensure both the gimbal adapter and the damping unit are aligned the gimbal adapter and the damping unit are aligned with the nose of Phantom 2. Screw the gimbal adapter and the damping unit upper plate in place.

首先将云台防脱落扣安装在下图中蓝色所标示的位置，然后将云台转接适配配件与减震装置上板对准放大图中所示的四个螺丝孔。云台转接适配配件位置应与机头方向一致。最后，用单品包中的长螺丝一并将云台转接适配配件与减震装置锁紧至 Phantom 2 底部。



- 4 Attach the damping unit bottom plate to the upper plate using four vibration absorbers. Insert the securing washer firmly into correct position shown in the position shown below to secure the damping unit. Do not push too hard on the securing pins. Refer to the H4-3D Quick Start Guide for full mounting instructions.

将减震上板上的四个减震球套入减震装置下板，并安装云台防脱落控件。参照下图所示，请勿过分插入防脱落盘。余下的安装步骤请参考 H4-3D 安装指南。

